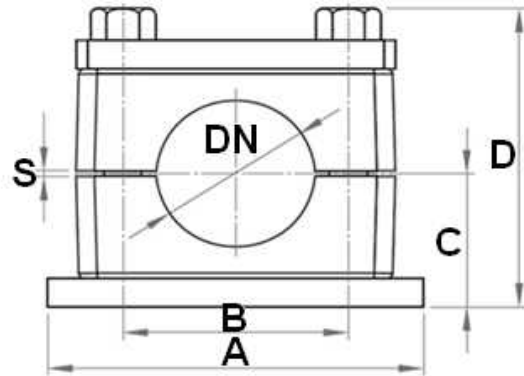
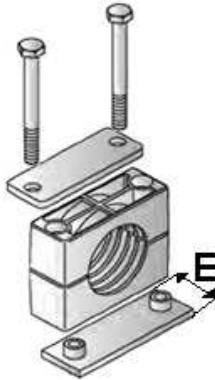


Clamps heavy Series - TrAle

Complete

Heavy clamp, heavy series

Page: 1/2



DIN 3015/2

Temperature: -30°C + 90°C

Material Metal parts: carbon steel St 37-2
Clamps: Polypropilene

Part nº	DN		A	B	C	D	E	S
AZCPS06	6	1	74	33	24	55	30	0.6
AZCPS08	8	1	74	33	24	55	30	0.6
AZCPS10	10	1	74	33	24	55	30	0.6
AZCPS12	12	1	74	33	24	55	30	0.6
AZCPS13.2	1/4"	1	74	33	24	55	30	0.6
AZCPS14	14	1	74	33	24	55	30	0.6
AZCPS15	15	1	74	33	24	55	30	0.6
AZCPS16	16	1	74	33	24	55	30	0.6
AZCPS17.2	3/8"	1	74	33	24	55	55	30
AZCPS18	18	1	74	33	24	55	30	0.6
AZCPS20	20	2	86	45	32	71	30	0.6
AZCPS21.3	1/2"	2	86	45	32	71	30	0.6
AZCPS22	22	2	86	45	32	71	30	0.6
AZCPS25	25	2	86	45	32	71	30	0.6
AZCPS26.7	3/4"	2	86	45	32	71	30	0.6
AZCPS28	28	2	86	45	32	71	30	0.6
AZCPS30	30	2	86	45	32	71	30	0.6
AZCPS32	32	3	100	60	38	83	30	0.6
AZCPS33.3	1"	3	100	60	38	83	30	0.6
AZCPS35	35	3	100	60	38	83	30	0.6
AZCPS38	38	3	100	60	38	83	30	0.6
AZCPS40	40	3	100	60	38	83	30	0.6
AZCPS42	42	3	100	60	38	83	30	0.6
AZCPS42.4	1"1/4	4	140	90	54,5	117	45	2
AZCPS45	45	4	140	90	54,5	117	45	2
AZCPS48	48-1" 1/2	4	140	90	54,5	117	45	2
AZCPS48.4	1"1/2	4	140	90	54,5	117	45	2

Clamps heavy Series - TrAle

Complete

Heavy clamp, heavy series

Page: 2/2

Part nº	DN		A	B	C	D	E	S
AZCPS50	50	4	140	90	54,5	117	45	2
AZCPS55	55	4	140	90	54,5	117	45	2
AZCPS60	60	4	140	90	54,5	117	45	2
AZCPS60.3	2"	4	140	90	54,5	117	45	2
AZCPS65	65	4	140	90	54,5	117	45	2
AZCPS70	70	4	140	90	54,5	117	45	2

*** Review attached PDF***